

Service Trolleys

2 Side, 2 Tier Trolley for 300 plates - height 835 mm

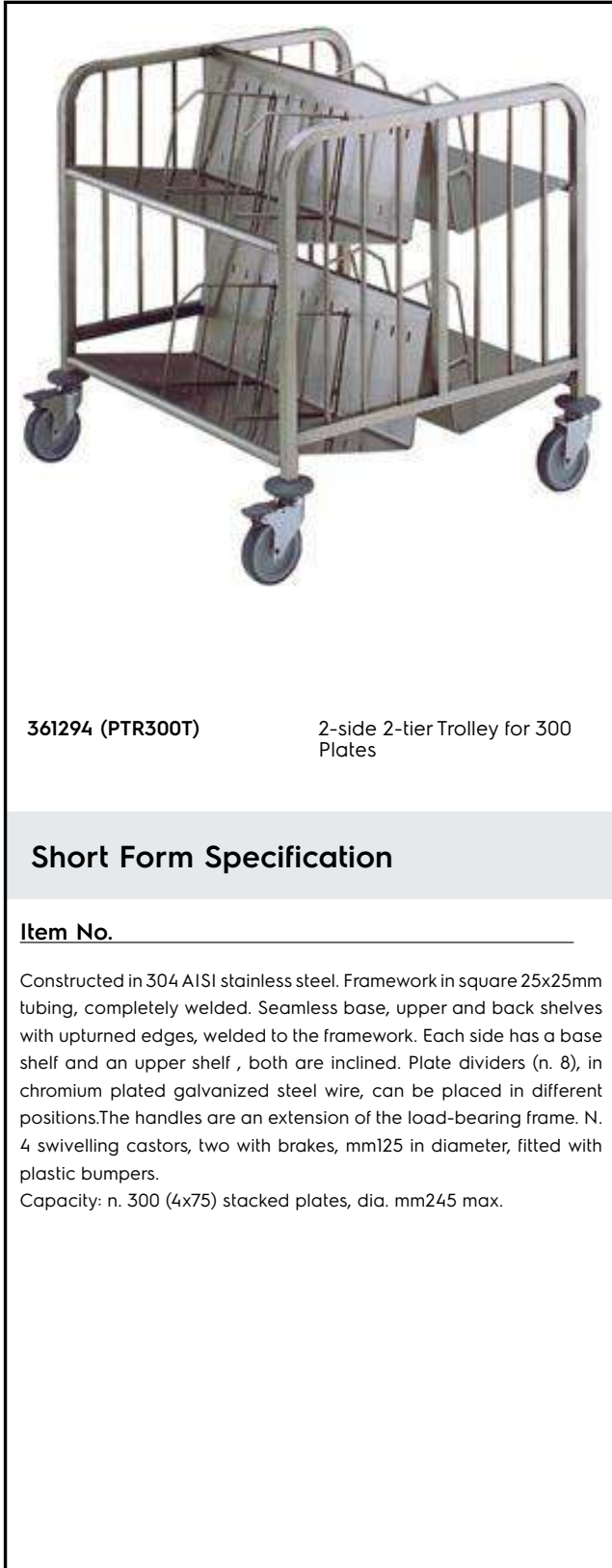
ITEM # _____

MODEL # _____

NAME # _____

SIS # _____

AIA # _____



361294 (PTR300T)

2-side 2-tier Trolley for 300
Plates

Short Form Specification

Item No. _____

Constructed in 304 AISI stainless steel. Framework in square 25x25mm tubing, completely welded. Seamless base, upper and back shelves with upturned edges, welded to the framework. Each side has a base shelf and an upper shelf, both are inclined. Plate dividers (n. 8), in chromium plated galvanized steel wire, can be placed in different positions. The handles are an extension of the load-bearing frame. N. 4 swivelling castors, two with brakes, mm125 in diameter, fitted with plastic bumpers.

Capacity: n. 300 (4x75) stacked plates, dia. mm245 max.

Main Features

- Framework in square 25x25 mm tubing, completely welded.
- Eight plate dividers in chromium plated galvanized steel wire, that can be placed in different positions
- Seamless inclined base and back shelves with upturn edges welded to the framework.
- Accomodates 300 stacked plates, maximum 245 mm in diameter.
- 4 pivoting Ø 125 mm wheels, 2 of which with brakes, fitted with plastic bumpers

Construction

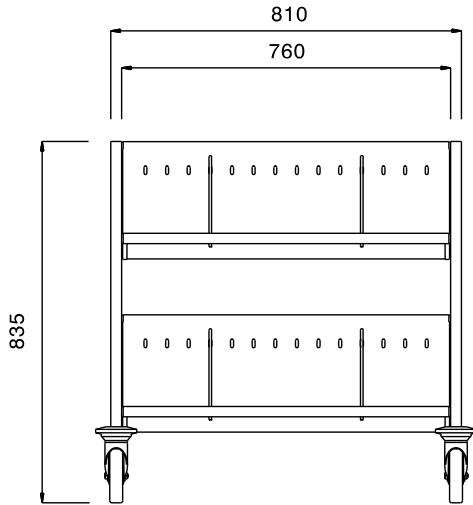
- Constructed entirely in 304 AISI stainless steel.

APPROVAL: _____

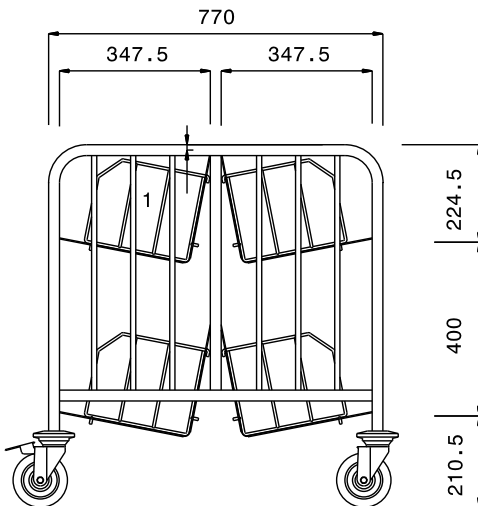
Key Information:

External dimensions, Width:	880 mm
361294 (PTR300T)	
External dimensions, Depth:	840 mm
External dimensions, Height:	835 mm
Wheel material:	Zinc plated
Wheel diameter:	Ø 125
Net weight:	33 kg

Front



Side



Top

